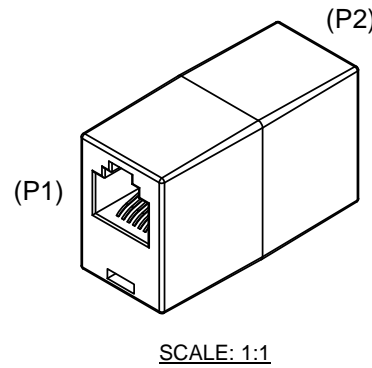
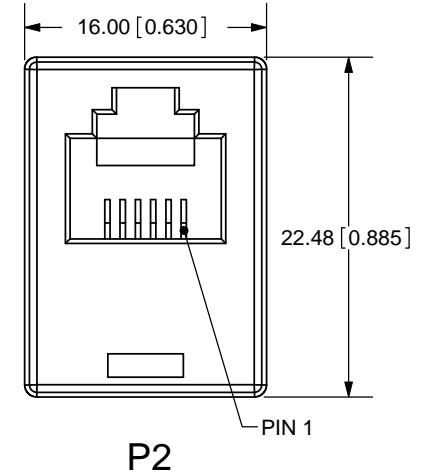
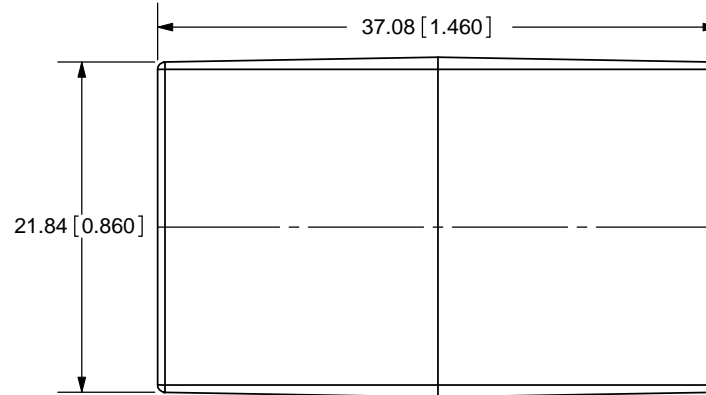
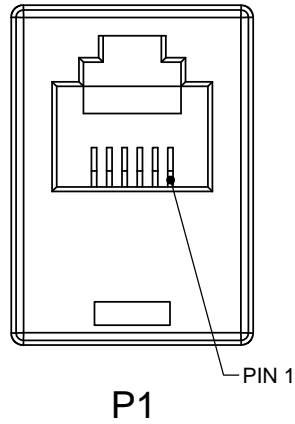


REV.	DESCRIPTION	DATE
A	NEW DRAWING	2/12/2008



TOLERANCE:
±0.3mm UNLESS OTHERWISE
SPECIFIED



WIRING SCHEMATIC		
P1		P2
1		6
2		5
3		4
4		3
5		2
6		1



20050 SW 112th Ave.
Tualatin, OR 97062
Phone: 503-612-2300
800-275-4899
Fax: 503-612-2383
Website: www.cui.com

TITLE: MODULAR IN-LINE COUPLER, CROSS WIRING		REV: A
PART NO. AMK-0056	UNITS: MM [INCHES]	
DRAWN BY: ZRJ	APPROVED BY:	SCALE: 2:1

	MATERIAL	PLATING
CONTACTS	Phosphor Bronze	Gold over Nickel
HOUSING	ABS	

PC FILE NAME:
AMK-0056

COPYRIGHT 2008 BY CUI INC.